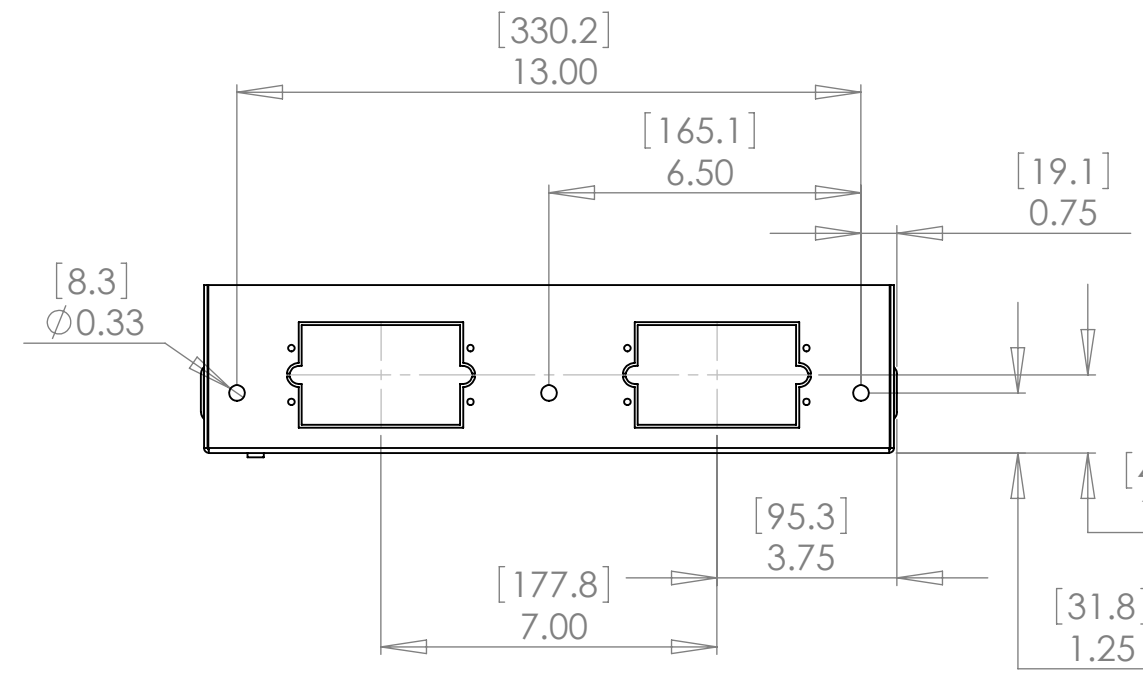
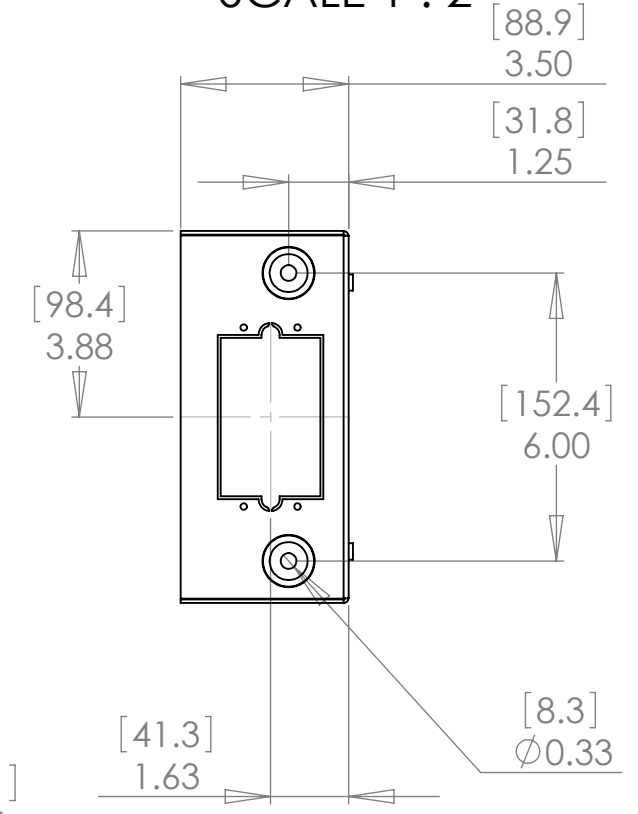
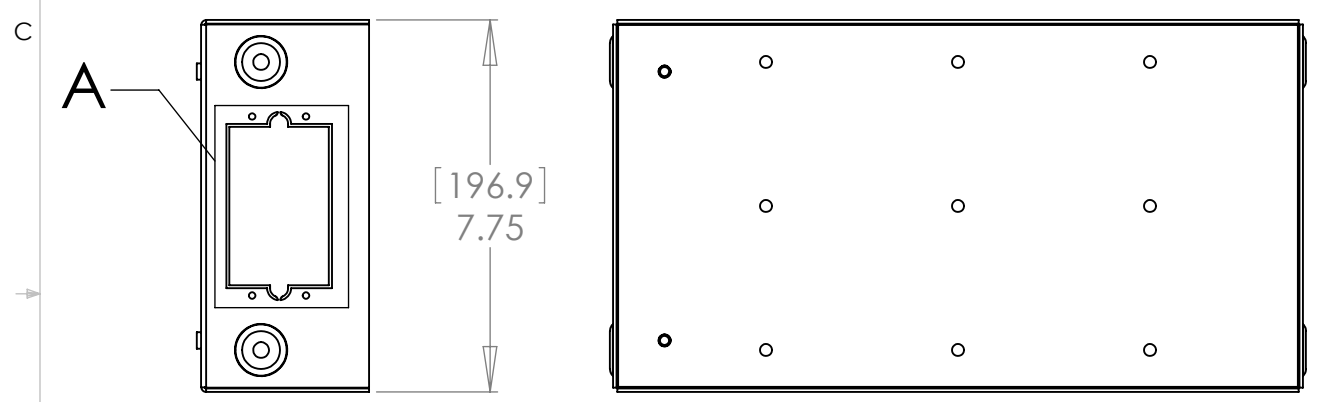
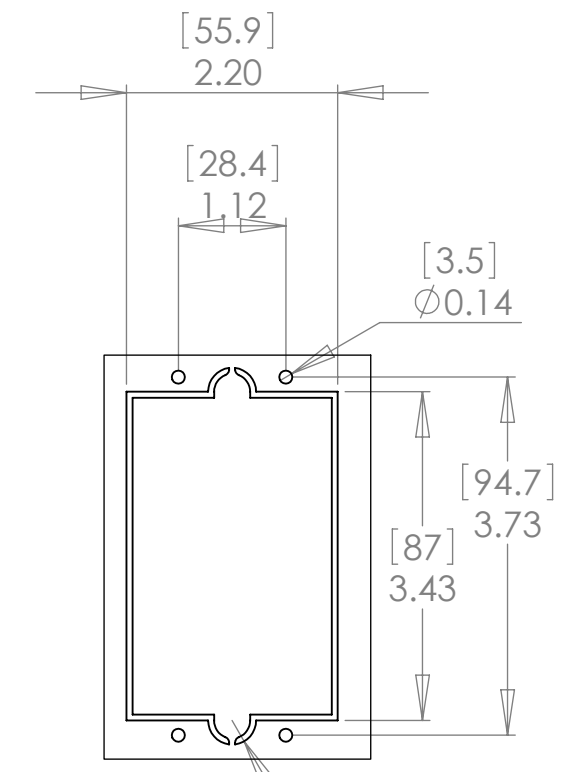
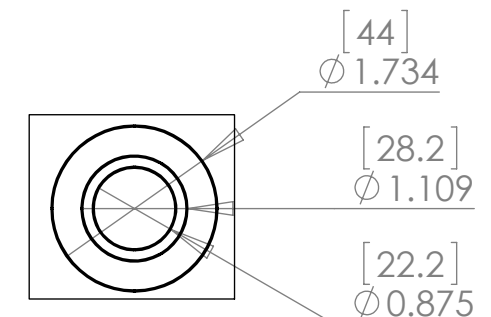
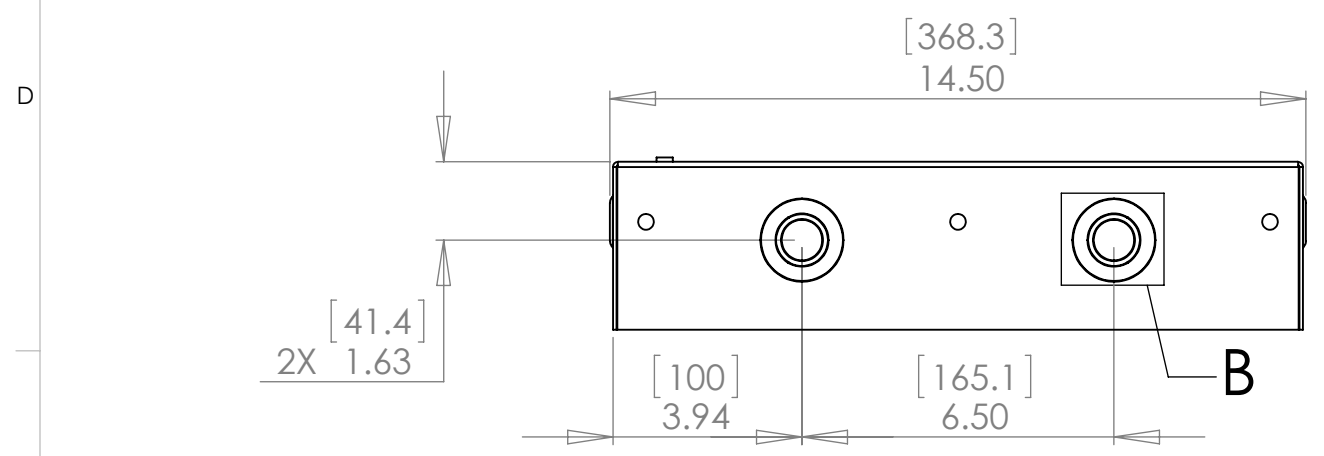


**RECOMMENDED ELECTRICAL BOX:
RACO 560 3" X 2" BOX, 2 3/4" DEEP
GANGABLE OR EQUIVALENT.**

STATUS: **TLC 09/13/2012 - RELEASED ON ECO: 500006382**

TECH-000210



THE INFORMATION AND DESIGNS CONTAINED IN THIS DRAWING ARE CONFIDENTIAL AND THE PROPRIETARY PROPERTY OF MILESTONE AV TECHNOLOGIES NEITHER THIS DESIGN NOR ANY INFORMATION CONTAINED IN THIS DRAWING MAY BE REPRODUCED OR DISCLOSED TO OTHERS WITHOUT THE EXPRESS WRITTEN CONSENT OF MILESTONE AV TECHNOLOGIES.

CAD GENERATED DRAWING, DO NOT MANUALLY UPDATE.				CHIEF 6436 CITY WEST PKWY EDEN PRAIRIE MN, 55344 PHONE: 866-977-3901 FAX: 877-894-6918	
DRAWN BY	TLC	9/13/2012	DESCRIPTION PRE-WIRE IN-WALL BOX		
ENG APPROVAL		09/13/2012	MODEL NO. PAC522		
MFG APPROVAL			SIZE DWG. NO. B TECH-000210		
QA APPROVAL			SHEET 1 OF 1		REV. 00
SCALE		1:4			